



## Water Meter Measuring Capsule

**WMK10.D/..**  
**WMW10.D/..**

---

**Multi-jet dry-rotor measuring capsule for cold and hot water consumption measurement.**

**Display of cumulative consumption. Retrofittable with electronic modules.**

### **Anwendung**

---

For water consumption metering in:

- Service water systems of residential and non-residential buildings
- Water supply systems of any type
- Multifamily houses, office and administrative buildings

Typical users are:

- Private building owners and housing cooperatives
- Building services companies and property management firms

## Type Summary

<b>Meter without Remote Reading</b>	<i>Max. Water Temperature</i>	$Q_N$ <i>[m<sup>3</sup>/h]</i>	<i>Compatible with</i>	<i>Type Designation</i>
	30°C	1,5	Allmess / UP 6000	WMK10.D/ALL
	90°C	1,5	Allmess / UP 6000	WMW10.D/ALL
	30°C	1,5	Elster / ABB/MO-E / MO-C	WMK10.D/ABB
	90°C	1,5	Elster / ABB/MO-E / MO-C	WMW10.D/ABB
	30°C	1,5	Metrona / Brunata / HT 3	WMK10.D/MET
	90°C	1,5	Metrona / Brunata / HT 3	WMW10.D/MET
	30°C	1,5	SPX / Pollumuk	WMK10.D/SE
	90°C	1,5	SPX / Pollumuk	WMW10.D/SE

## Accessories

<i>Description</i>	<i>Type Designation</i>
Round rosette, chromium-plated	WFZW.B1
Round rosette, silver metallic (radio)	WFZW.B1-2
Round cover plate, chromium-plated, complete with insertion pipe and PVC ring	WFZ.B6-1
Round cover plate, silver metallic, complete with insertion pipe and PVC ring (radio)	WFZ.B6-2
Special key for installation of measuring capsule	WMZ.K
Special key no. 2 for installation of measuring capsule	WMZ.K2

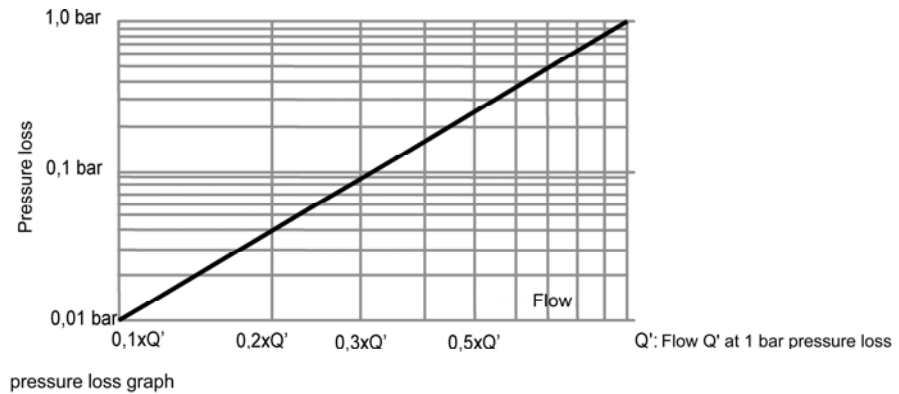
## Ordering

The type designation as specified in the Type Summary is to be quoted when placing orders. Rosettes or cover plates are not automatically supplied with the meter. They need to be ordered separately.

## Functions

- Compatible with various types of casings (See Type Summary.)
- Various mounting positions
- Rotatable drum-type registers – reading possible in any position
- Eight-roller register with modulation indicator
- Separation of wet and dry spaces provides protection for the drum-type register.
- Prepared for retrofitting of communication modules (e.g. radio)
- One mounting key for all versions
- Suitable for commercially available rosettes

## Dimensioning



## Mounting Instructions

- The local regulations governing the use (installation, sealing, etc.) of water meters are to be observed.
- The measuring capsule must be easily accessible for readout and servicing.
- The pipe is to be thoroughly flushed before the measuring capsule can be installed. To this end, the single-pipe connector is to be mounted with the sealing cap.
- The mounting position can be chosen between horizontal and vertical. In so doing, the flow direction sign (arrow on the single-pipe connector) must be observed, however.
- The register, which can be turned into any position whatsoever, should be set in such a way that the display can be read horizontally.
- Following installation, the system is to be pressure tested.
- A special key is to be used for the installation of the measuring capsule.

## Operating Instructions

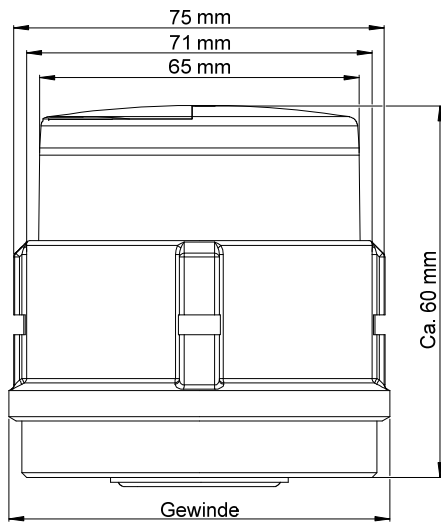
When it comes to the operation, recalibration and use of the water meter, the applicable local regulations are to be observed.

## Technical Data

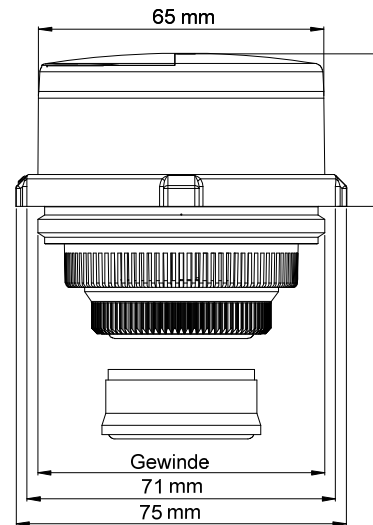
Typ	WMx10.D/ALL	WMx10.D/ABB	WMx10.D/MET	WMx10.D/SE
Nominal flow QN [m <sup>3</sup> /h]	1,5	1,5	1,5	1,5
Connecting thread	M77x1,5	M65x2	M64x2	G 2 1/4"
Start ca. [l/h]	< 10	< 10	< 10	< 10
Flow Q' at 1 bar pressure loss	3300	3300	3300	3300
Weight ca. [kg]	0,5	0,23	0,23	0,26
metrological class				
Horizontal	B	B	B	B
Vertical	A	A	A	A

## Dimensional Drawings

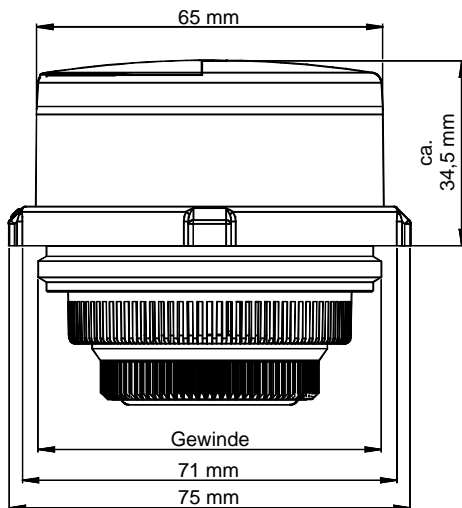
**WMx10.D/ALL**



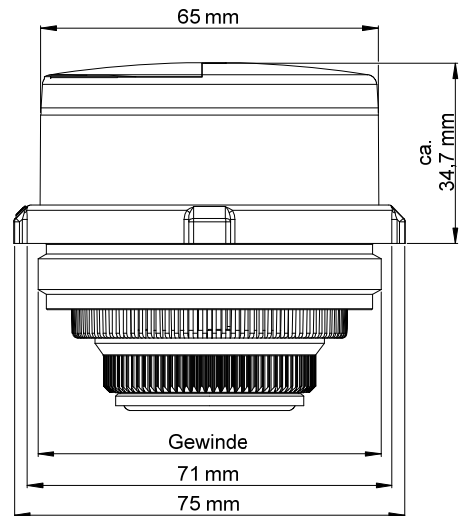
**WMx10.D/ABB**



**WMx10.D/MET**



**WMx10.D/SE**



This data sheet only provides general descriptions and/or performance characteristics, which, in a given case, may not always apply in the manner presented or may change as products evolve. Desired performance characteristics shall only be binding if they are expressly agreed upon the signing of the relevant contract.

©2009 QUNDIS GmbH  
Subject to change